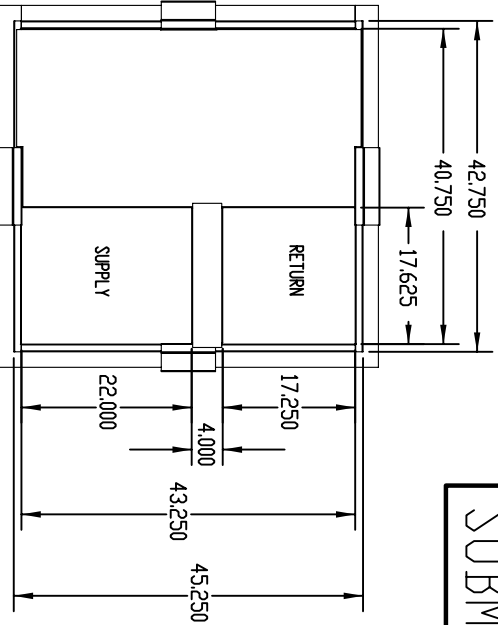
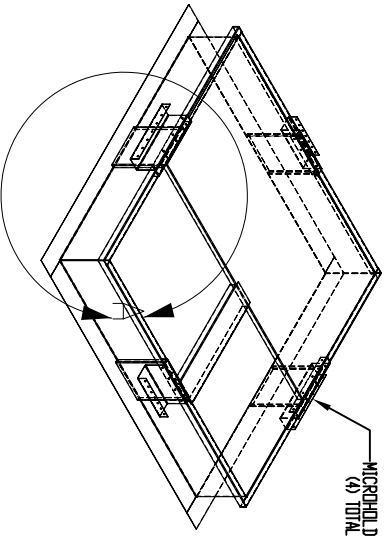
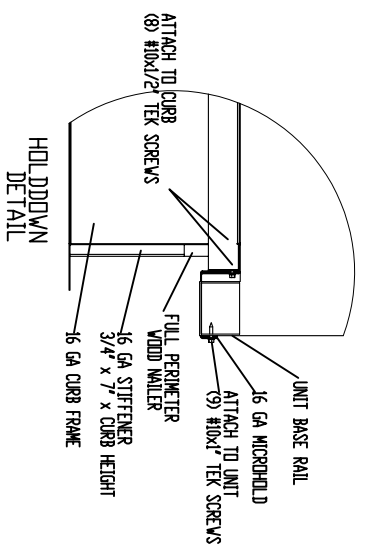
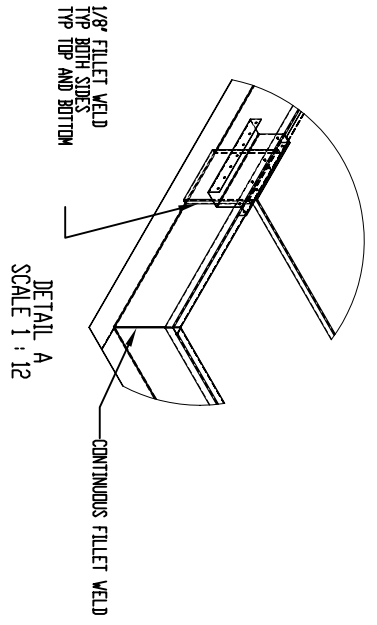
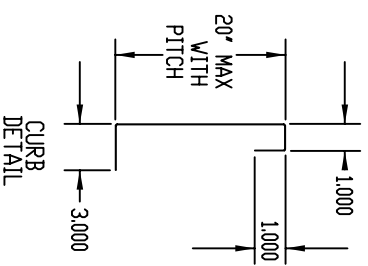


SUBMITTAL

W557 SERIES



- * WELDED CONSTRUCTION
- * PERIMETER WOOD NAILER
- * GASKET PACKAGE
- * FACTORY INSTALLED HOLD-DOWNS
- * INSULATED DECK PAN



Micrometl Corporation

PRODUCT NUMBER:
W557 SERIES
WELDED CURBS

W557-C014-01CBC 14\"/>

Sparks, NV. (800) 884-4662
Indianapolis, IN. (800) 662-4822
Longview, TX. (903) 248-4800

STRUCTURALLY CALCULATED WELDED
CURB FOR YORK DNX, BHX 024-060

THE INFORMATION CONTAINED IN THIS DRAWING IS THE SOLE PROPERTY OF MICROMETL CORPORATION. ANY REPRODUCTION IN PART OR WHOLE WITHOUT THE WRITTEN PERMISSION OF MICROMETL CORPORATION IS PROHIBITED.

DATE:	07/2007
DRAWN BY:	MAC
WEIGHT:	65/65/115
MEETS SEISMIC REQUIREMENTS FOR FOLLOWING CODES:	
	2001 CBC
	2006 IBC