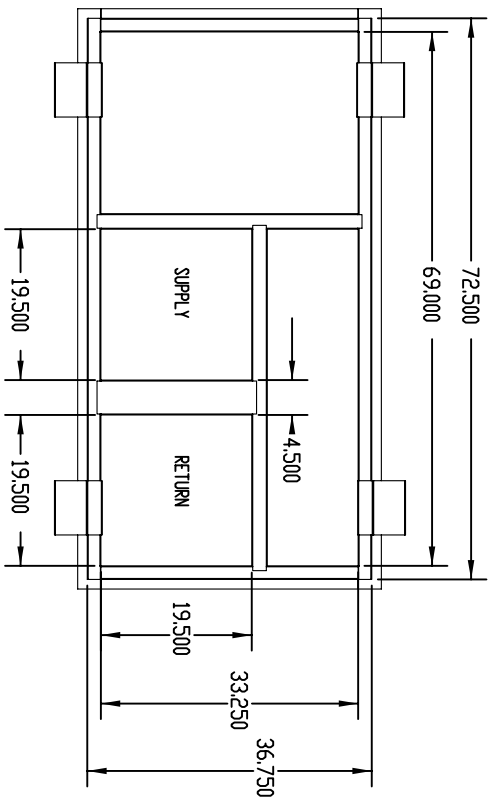
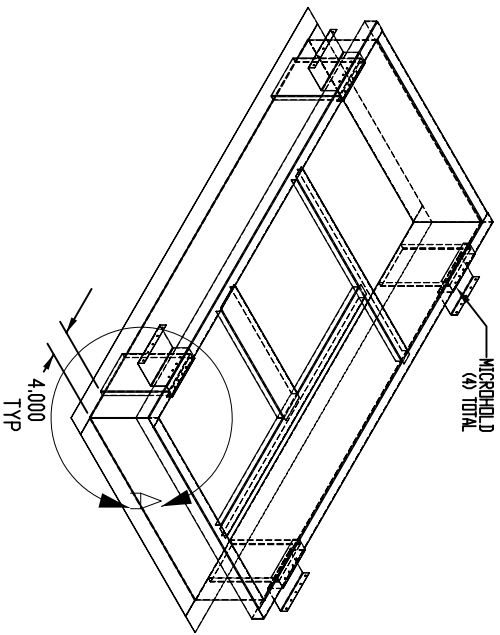
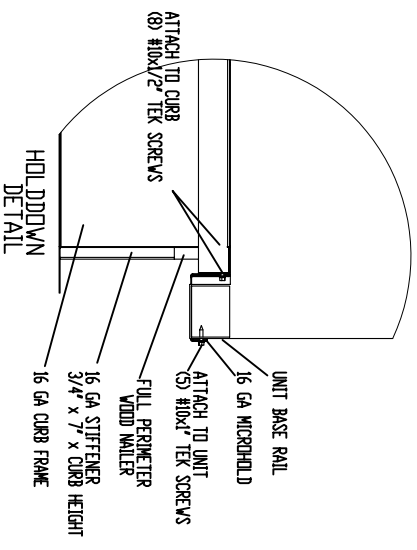
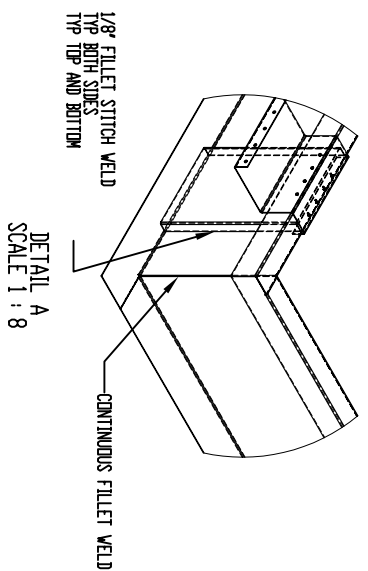
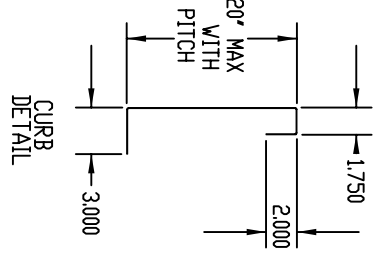


SUBMITTAL

W560 SERIES



- ** WELDED CONSTRUCTION
- ** PERIMETER WOOD MAILER
- ** GASKET PACKAGE
- ** FACTORY INSTALLED HOLDDOWNS



Micrometl Corporation

PRODUCT NUMBER:
W560 SERIES
WELDED CURBS

W560-C014-01CBC 14" TALL

Sparks, NV (800) 884-4662
Indianapolis, IN (800) 662-4822
Longview, TX (903) 248-4800

STRUCTURALLY CALCULATED WELDED
CURB FOR YORK ZJ, XP 036-060

THE INFORMATION CONTAINED IN THIS DRAWING IS THE SOLE PROPERTY OF MICROMETL CORPORATION. ANY REPRODUCTION IN PART OR WHOLE WITHOUT THE WRITTEN PERMISSION OF MICROMETL CORPORATION IS PROHIBITED.

DATE:	07/2007
DRAWN BY:	MAC
WEIGHT:	124
MEETS SEISMIC REQUIREMENTS FOR FOLLOWING CODES:	2001 CBC 2006 IBC