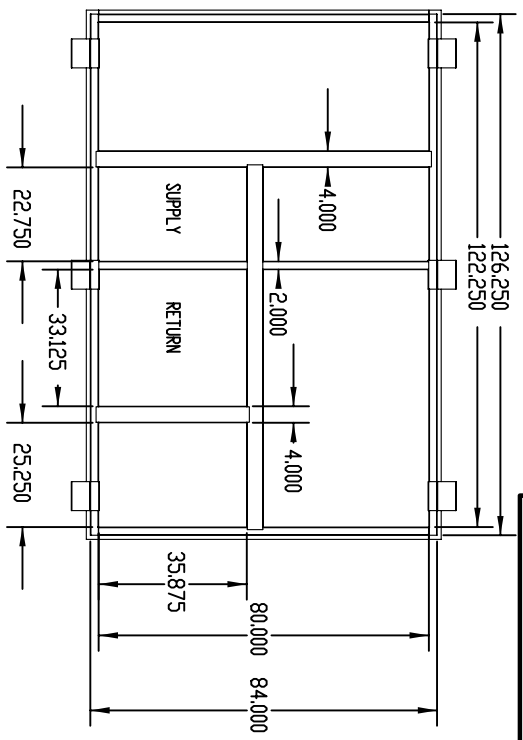
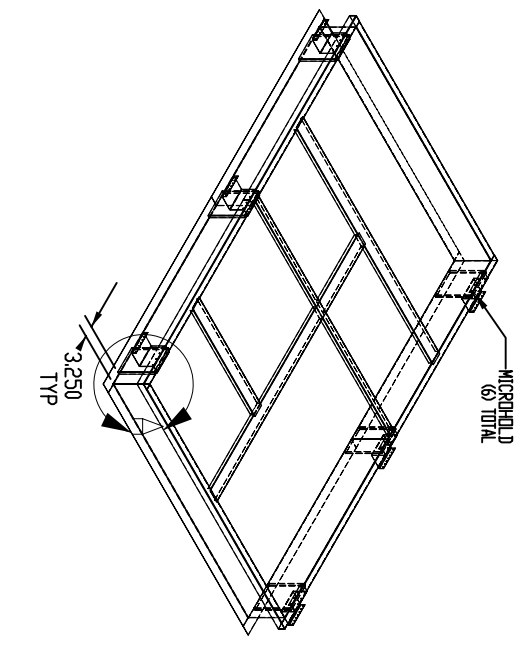
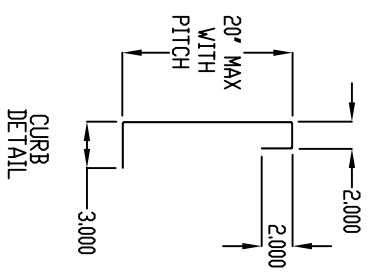
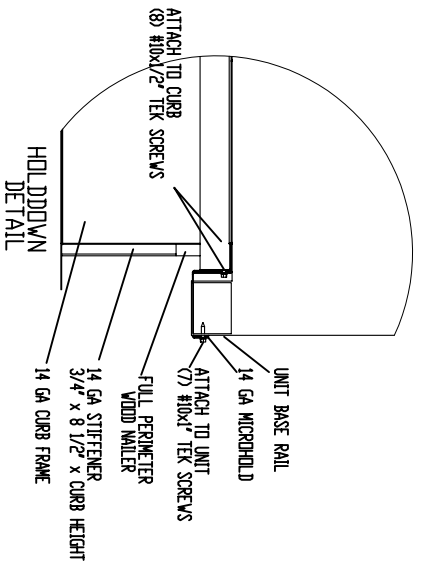
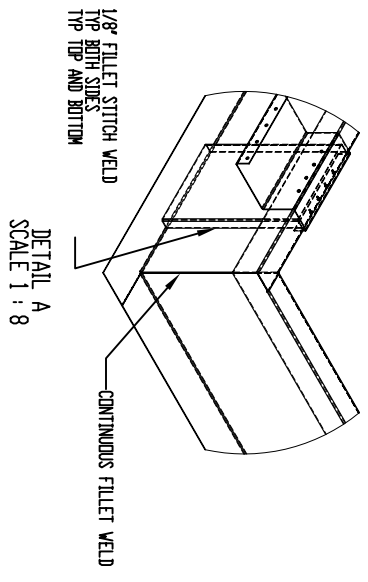


SUBMITTAL

W565 SERIES



- * WELDED CONSTRUCTION
- * PERIMETER WOOD NAILER
- * GASKET PACKAGE
- * FACTORY INSTALLED HOLDDOWNS



Micrometl Corporation

PRODUCT NUMBER:
W565 SERIES
WELDED CURBS

W565-C014-01CBC 14" TALL

Sparks, NV. (800) 884-4662
Indianapolis, IN. (800) 662-4822
Longview, TX. (903) 248-4800

STRUCTURALLY CALCULATED WELDED
CURB FOR YORK ZJ 180-300

THE INFORMATION CONTAINED IN THIS DRAWING IS THE SOLE PROPERTY OF MICROMETL CORPORATION. ANY REPRODUCTION IN PART OR WHOLE WITHOUT THE WRITTEN PERMISSION OF MICROMETL CORPORATION IS PROHIBITED.

| | |
|---|----------------------|
| DATE: | 07/2007 |
| DRAWN BY: | MAC |
| WEIGHT: | 310 |
| MEETS SEISMIC REQUIREMENTS FOR FOLLOWING CODES: | 2001 CBC 2006 IBC |