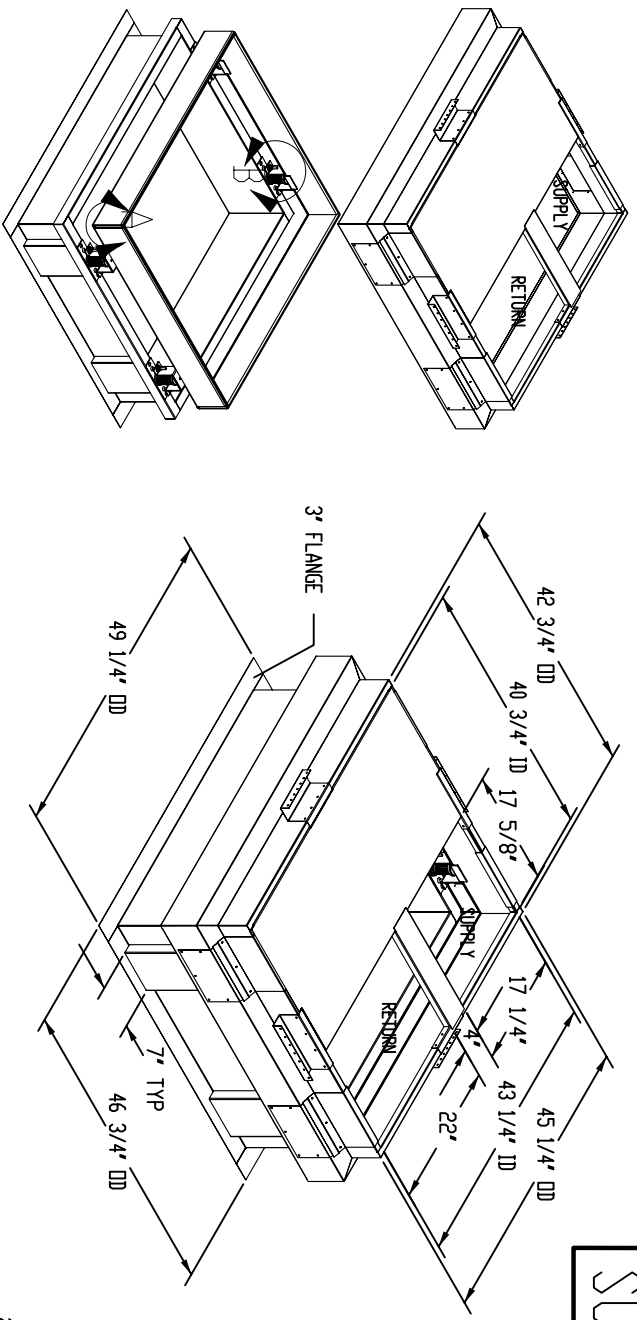
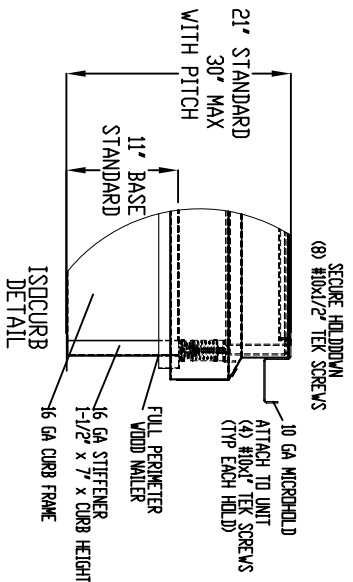
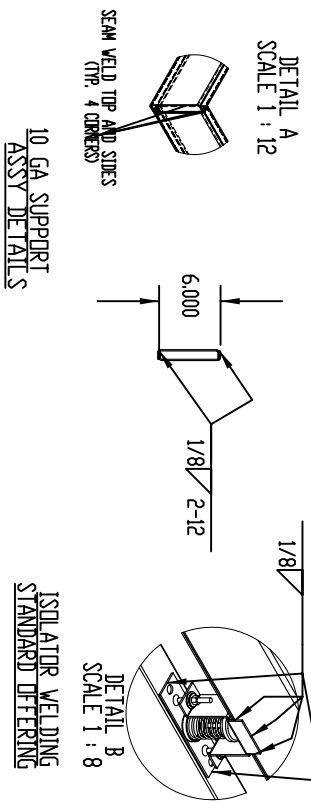


SUBMITTAL

0403-572A SERIES



- * WELDED CONSTRUCTION
- * PERIMETER WOOD NAILER
- * GASKET PACKAGE
- * FACTORY INSTALLED HOLD-DOWNS
- * OSHPD PRE-APPROVED 2" DEF
- * SEISMIC RESTRAINTS (DPA#0070)



Micrometl Corporation

PRODUCT NUMBER:
0403-572A
ISOLATION CURBS

0403-572A-8B-01CBC 18" TALL
0403-572A-01CBC 21" TALL

Sparks, NV. (800) 884-4662
Indianapolis, IN. (800) 662-4822
Longview, TX. (903) 248-4800

STRUCTURALLY CALCULATED VIBRATION ISOLATION CURB FOR YORK DNA, DNP, DNK, DNY, DNZ, DEM 024-060
BHA, BHP, BHX, BHY, BHZ 024-060

THE INFORMATION CONTAINED IN THIS DRAWING IS THE SOLE PROPERTY OF MICROMETL CORPORATION. ANY REPRODUCTION IN PART OR WHOLE WITHOUT THE WRITTEN PERMISSION OF MICROMETL CORPORATION IS PROHIBITED.

DATE:	07/2007
DRAWN BY:	MAC
WEIGHT:	260
MEETS SEISMIC REQUIREMENTS FOR FOLLOWING CODES:	

2001 CBC
2006 IBC