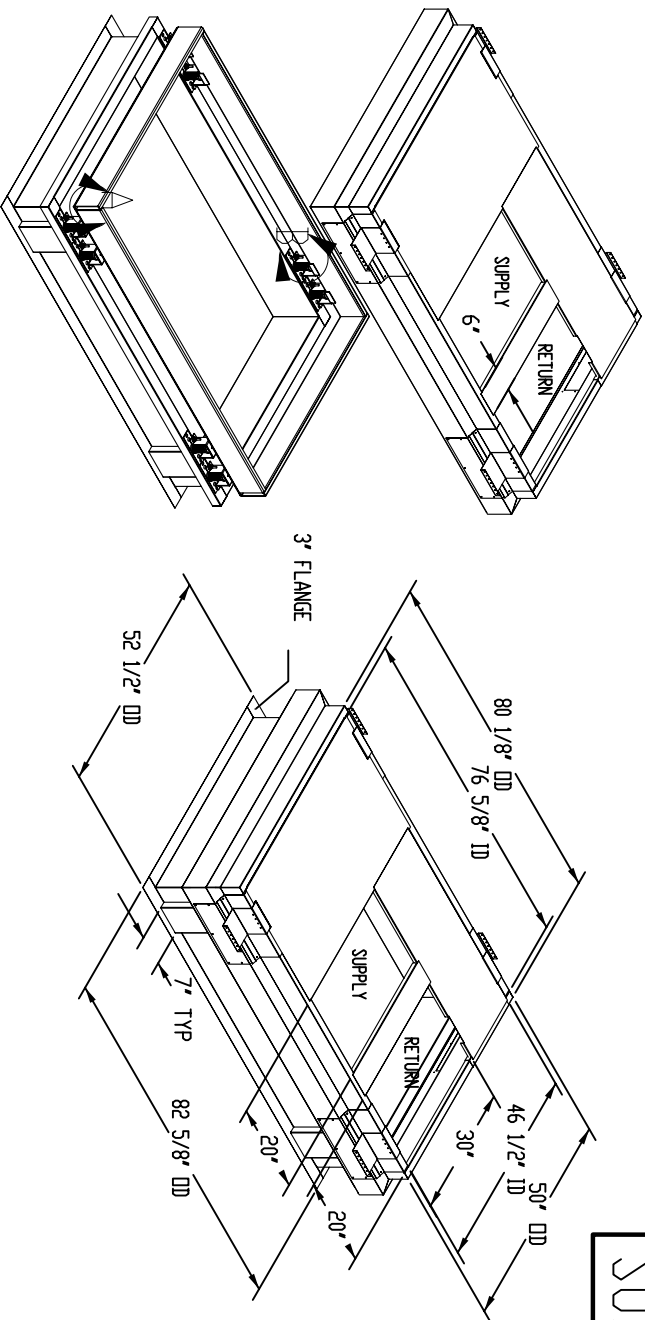
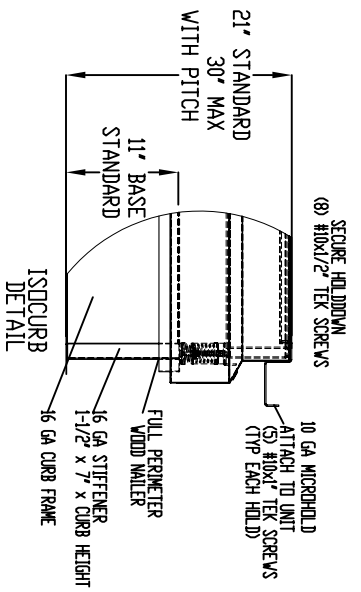
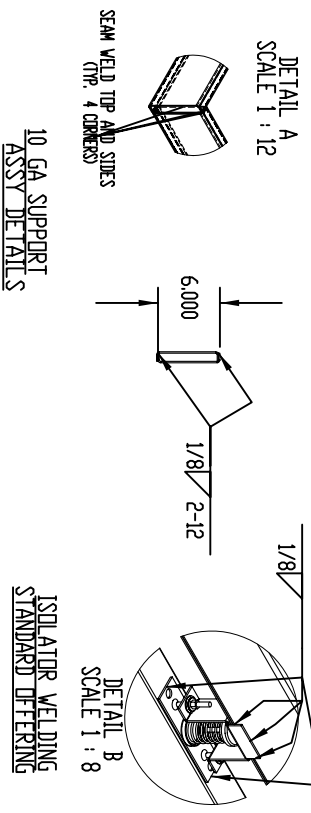


SUBMITTAL

0403-642A SERIES



- * WELDED CONSTRUCTION
- * PERIMETER WOOD NAILER
- * GASKET PACKAGE
- * FACTORY INSTALLED HOLDDOWNS
- * OSHPD PRE-APPROVED 2" DEF
- SEISMIC RESTRAINTS (DPPA#0070)



Micrometl Corporation

PRODUCT NUMBER:
0403-642A
ISOLATION CURBS

0403-642A-8B-01CBC 18' TALL
0403-642A-01CBC 21' TALL

STRUCTURALLY CALCULATED VIBRATION ISOLATION

CURB FOR YORK ZH, DH, DM, BP 078-150, DR 090-150

DF 078-120, DF 150 UNITS

Sparks, NV. (800) 884-4662
Indianapolis, IN. (800) 662-4822
Longview, TX. (903) 248-4800

THE INFORMATION CONTAINED IN THIS DRAWING IS THE SOLE PROPERTY OF MICROMETL CORPORATION. ANY REPRODUCTION IN PART OR WHOLE WITHOUT THE WRITTEN PERMISSION OF MICROMETL CORPORATION IS PROHIBITED.

DATE:	07/2007
DRAWN BY:	MAC
WEIGHT:	400/420/440
MET'S SEISMIC REQUIREMENTS FOR FOLLOWING CODES:	
	2001 CBC
	2006 IBC