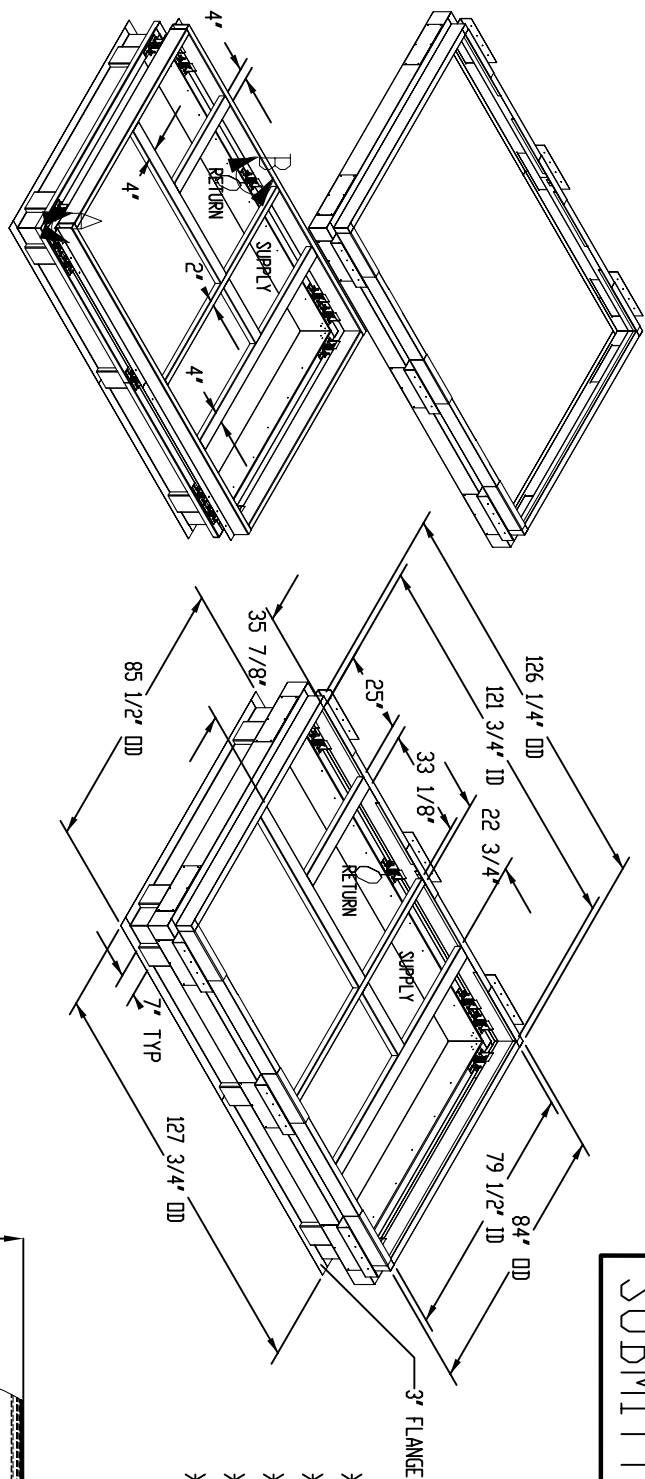
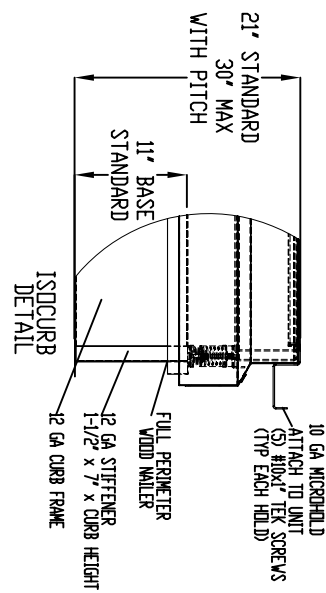


SUBMITTAL

0403-652A SERIES



- * WELDED CONSTRUCTION
- * PERIMETER WOOD NAILER
- * GASKET PACKAGE
- * FACTORY INSTALLED HOLD DOWNS
- * DSHPD PRE-APPROVED 2" DEF
- * SEISMIC RESTRAINTS (DPA#0070)



Micrometl Corporation

PRODUCT NUMBER:
0403-652A
ISOLATION CURBS

0403-652A-8B-01CBC
0403-652A-01CBC
18' TALL
21' TALL

Sparks, NV. (800) 884-4662
Indianapolis, IN. (800) 662-4822
Longview, TX. (903) 248-4800

STRUCTURALLY CALCULATED VIBRATION ISOLATION
CURB FOR YORK ZJ 15 TD 25 TONS

THE INFORMATION CONTAINED IN THIS DRAWING IS THE SOLE PROPERTY OF MICROMETL CORPORATION. ANY REPRODUCTION IN PART OR WHOLE WITHOUT THE WRITTEN PERMISSION OF MICROMETL CORPORATION IS PROHIBITED.

DATE:	07/2007
DRAWN BY:	MAC
WEIGHT:	1000/150
MEETS SEISMIC REQUIREMENTS FOR FOLLOWING CODES:	
2001 CBC	
2006 IBC	