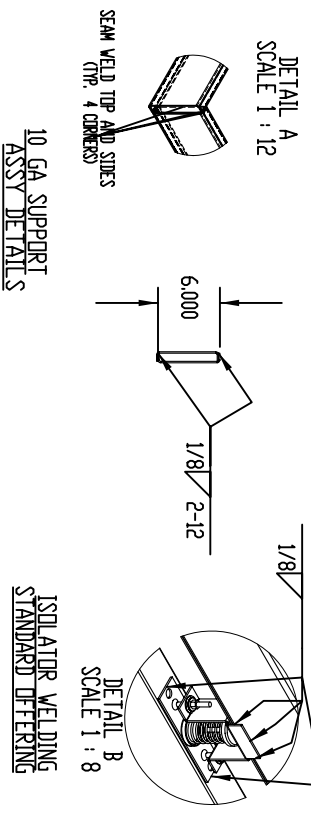
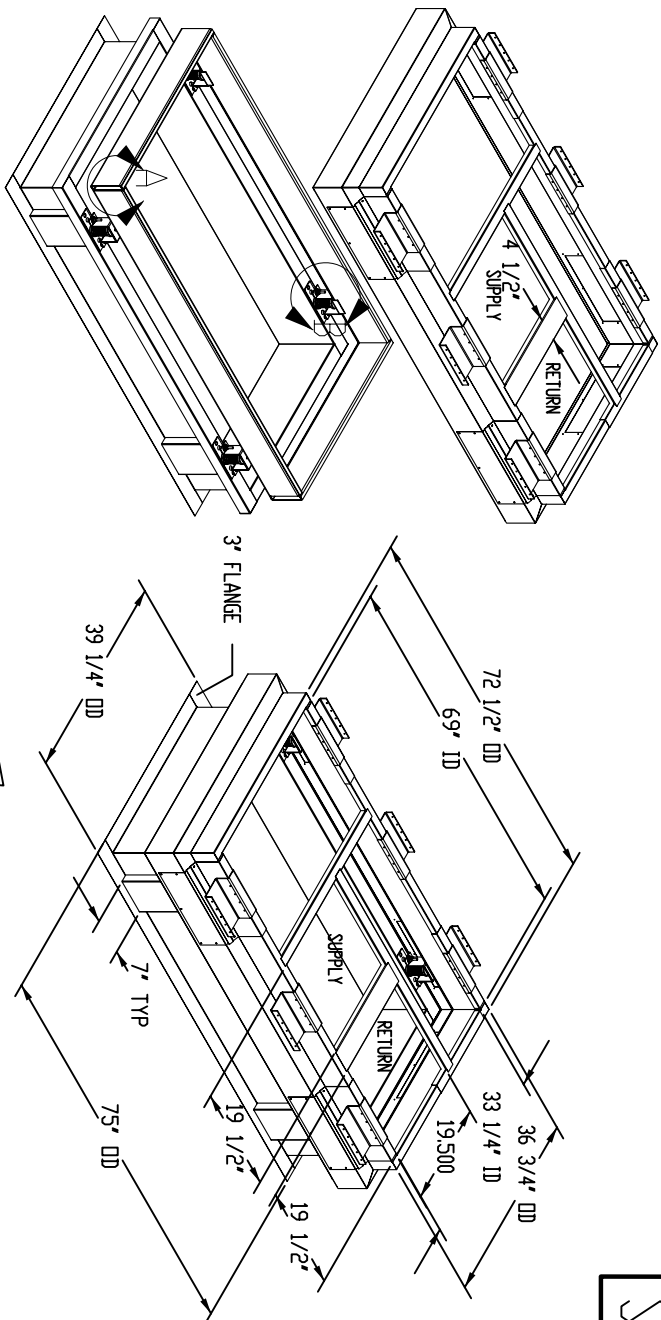
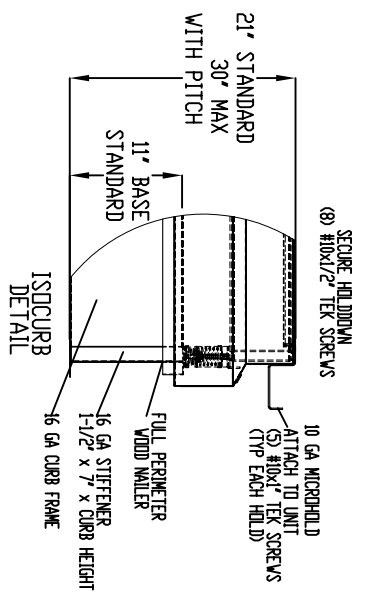


SUBMITTAL

0403-602A SERIES



- \* WELDED CONSTRUCTION
- \* PERIMETER WOOD NAILER
- \* GASKET PACKAGE
- \* FACTORY INSTALLED HOLDDOWNS
- \* DSHPD PRE-APPROVED 2" DEF SEISMIC RESTRAINTS (DPA#0070)



**Micrometl Corporation**

PRODUCT NUMBER:  
0403-602A  
ISOLATION CURBS

0403-602A-8B-01C8C  
0403-602A-01C8C

18" TALL  
21" TALL

Sparks, NV. (800) 884-4662  
Indianapolis, IN. (800) 662-4822  
Longview, TX. (903) 248-4800

STRUCTURALLY CALCULATED VIBRATION ISOLATION  
CURB FOR YORK ZJ, DJ, XP, ZP, 036-060, DR 036-072  
DHG, DHE 036-060, DF 072 UNITS

THE INFORMATION CONTAINED IN THIS DRAWING IS THE SOLE PROPERTY OF MICROMETL CORPORATION ANY REPRODUCTION IN PART OR WHOLE WITHOUT THE WRITTEN PERMISSION OF MICROMETL CORPORATION IS PROHIBITED.

DATE:	07/2007
DRAWN BY:	MAC
WEIGHT:	300/320/340
MEETS SEISMIC REQUIREMENTS FOR FOLLOWING CODES:	
	2001 CBC
	2006 IBC