

Job Name _____
 Purchaser _____
 Submitted to _____
 Unit Designation _____

Location _____
 Engineer _____
 Reference _____ Approval _____ Construction _____
 Schedule # _____

Specifications

Model	Indoor Unit Model Number	AC018KNLDCH/AA		
	Outdoor Unit Model Number	AC018KXADCH/AA		
Performance	Nominal Capacity*	Cooling / Heating (Btu/h)	18,000 / 20,000	
	Capacity Range*	Cooling (Btu/h)	5,000 - 21,000	
		Heating (Btu/h)	3,800 - 22,000	
	SEER / EER		19.5 / 10.7	
	COP (nominal heating)		2.96	
	HSPF		9.7	
	AHRI Certification Number		8717196	
Condensate (pints/h)		5.07		
Power	Voltage	ø / V / Hz	1 / 208-230 / 60	
	Working Voltage Range (VAC)		176 - 254 (max. 3% deviation from each)	
	Operating Current (min. / std. / max.)	Cooling (A)		1.9 / 7.7 / 9.5
		Heating (A)		1.7 / 8.8 / 12.0
	Max. Breaker	Amps		20
Min. Circuit Ampacity (A)			12.7	
Dimensions	W X H X D (in.)	Indoor Unit	35 7/16 X 7 13/16 X 23 5/8	
		Outdoor Unit	34 5/8 X 25 1/8 X 12 3/16	
	Weight (lbs.)	Indoor Unit	52	
		Outdoor Unit	103.6	
Duct Connections (in.)	Supply (W X H)	33 7/8 X 6		
	Return (W X H, ID)	30 9/16 X 6 11/16		
Heat Exchanger	Indoor and Outdoor Unit	Type	Aluminum Fin / Copper Tube	
		Pipe Diameter (in.)	1/4	
Sound Pressure Level	Indoor Unit dB(A)	L / M / H	28 / 32 / 35	
	Outdoor Unit dB(A)	Cooling / Heating (high)	49 / 50	
Operating Temperatures °F(°C)	Outdoor	Cooling	23 ~ 115°F(-5 ~ 46°C) 0 ~ 115°F(-18 ~ 46°C) w/ baffle	
		Heating	-4 ~ 75°F(-20 ~ 24°C)	
	Indoor	Cooling	61 ~ 90°F(16 ~ 32°C)	
		Heating	T ≤ 80°F(27°C)	
Pipe Connections	Indoor & Outdoor	High side X low side (flare)	1/4 X 1/2	
	Maximum Length	ft.	98.4	
	Maximum Vertical Separation (ft.)		65.6	
	Condensate Connection		1 1/4" OD, 1" ID	
Refrigerant	Type		R410A	
	Control Method		Electronic Expansion Valve	
	Factory Charge	oz.	45.92	
	Charged for		25 ft	
Additional Refrigerant			0.11 oz./ft. over 25 ft	
Compressor	Type		Inverter Driven, Twin BLDC Rotary	
	RLA	A	9.7	
Evaporator Fan	Type		BLDC (1) With Sirocco Fan (2)	
	Air Volume	CFM (L / M / H)	353 / 424 / 495	
	Output	Watts	84	
	FLA	A	0.38	
	Static Pressure	Standard ("WC) Min. / Max. ("WC)	0.1 0 / .24	
Condenser Fan	Motor		BLDC With Axial Type Fan (1)	
	FLA / Watts / Max. CFM		0.17 / 39W / 1,526 CFM	
Optional Accessories	Filter Box		FB-SLIM2	
	Wired Controller	Simplified Touch Controller	MWR-SH11UN	
		Advanced Wired Controller	MWR-WG00UN	
	Wireless Signal Control	Wireless Signal Receiver	MRK-A10N	
		Wireless Controller	AR-EH03U	
	Wi-Fi Adapter		MIM-H04UN	
	External Temperature Sensor		MRW-TA	
	External Contact Control		MIM-B14	
	Central Control Interface Module for Connection to DVM Plus Controls (non-NASA)		MIM-N01	
	Wall Bracket (for outdoor unit)		CKN-250	
Wind Baffles	Front		WBF-4M	
	Back		WBB-6M	
Line Sets - insulated and flared, interconnect cables included			25' - ILS2507	
			50' - ILS5007	
Safety	Certifications		ETL (UL 1995)	
	Devices		PCB fuses, indoor unit terminal block thermal fuse, current transformer, over-voltage protection, crankcase heating, temperature limit protection logic, compressor overload sensing	



- Horizontal discharge airflow
- Low ambient control built in
- The outdoor unit shall supply power to indoor unit via 14 AWG X 3 power wire
- Auto-restart after power loss
- The outdoor unit shall have a snow accumulation prevention option setting to prevent snow drifting against an idle outdoor unit.
- The indoor and outdoor units shall have a removable EEPROM that stores system programming information, unit name, and other data
- All indoor unit option settings shall be done digitally; the indoor unit does not contain rotary dials or setting switches.
- The outdoor unit shall have a night time quiet mode option to reduce operating sound during the night.
- Electrostatic, washable filter included as standard.
- Built in condensate pump with maximum 29" lift and float switch that disables indoor unit during overflow detection

Construction

The outdoor unit shall be galvanized steel with a baked on powder coated finish for durability

The indoor unit shall be insulated, galvanized steel.

Heat Exchanger

The indoor and outdoor unit heat exchanger shall be mechanically bonded aluminum fin to copper tube

Controls

Control signal shall be a DDC type signal

Interconnect control wire between outdoor indoor unit shall be 16AWG X 2 shielded

Wired or wireless controls must be purchased separately

Connection to optional wired controllers shall be 2 X 16AWG shielded wire

Controls shall integrate with a BMS system

No additional interface modules/adapters are required when connecting to Samsung NASA DVM S central control options.

Refrigerant System

The refrigerant shall be R410A

The compressor shall be hermetically sealed, inverter controlled, Twin BLDC Rotary

Refrigerant flow shall be controlled by an electronic expansion valve at outdoor unit

Soft-start to reduce current demand during compressor start

Warranty

10 Years compressor, 10 years parts, 1 year limited labor when registered

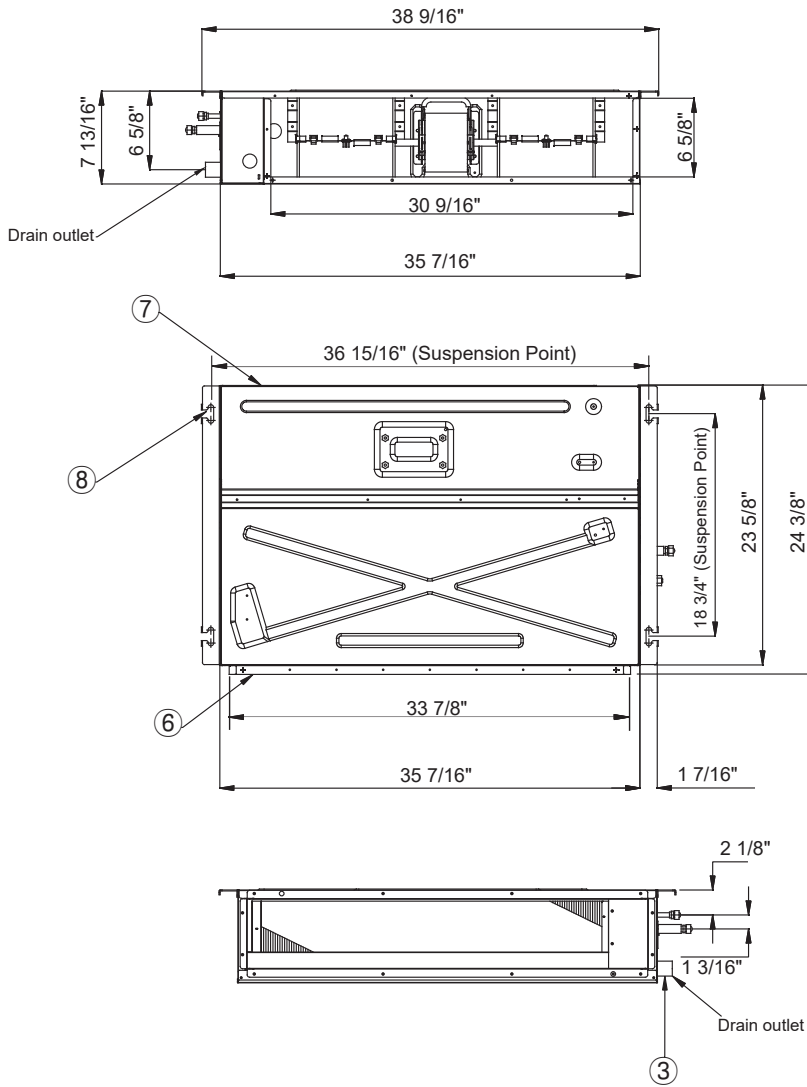
ATTENTION

This air handling unit is intended for free-air discharge or for connection to a duct supplying only one room. Improper installation could contribute to the spread of smoke or flame in the event of a fire.

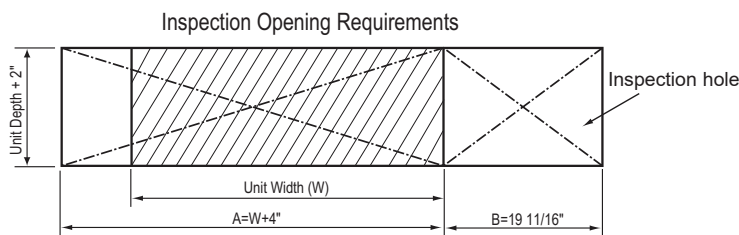
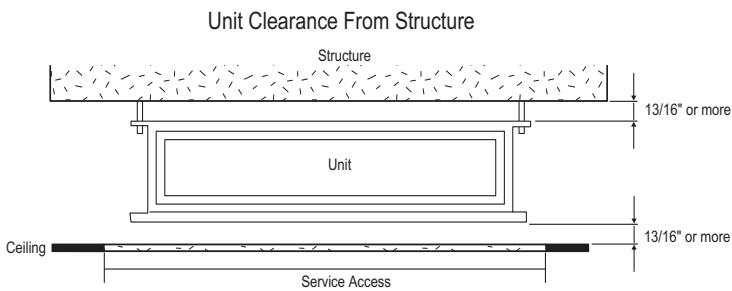
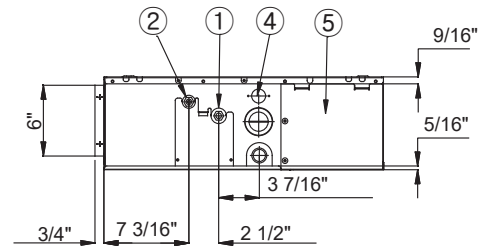
Samsung HVAC maintains a policy of ongoing development, specifications are subject to change without notice. Refer to www.AHRIDirectory.org for current reference numbers.

*Certified in accordance with the AHRI Unitary Small Air-Source Heat Pumps (USHP) Certification Program which is based on the latest edition of AHRI Standard 210/240.

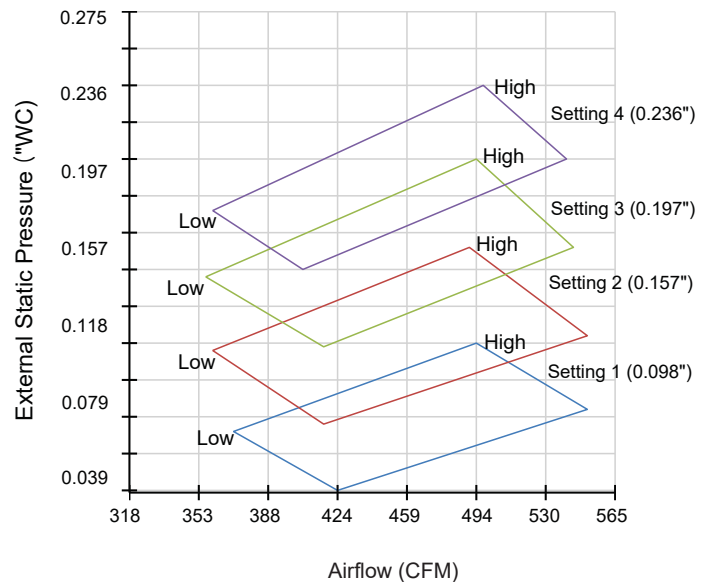




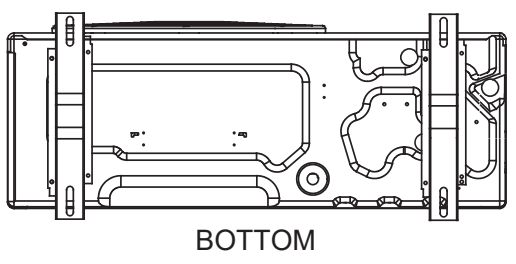
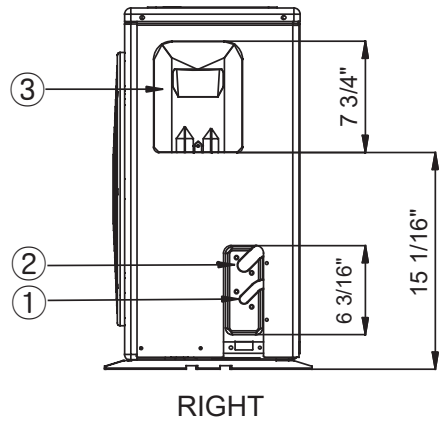
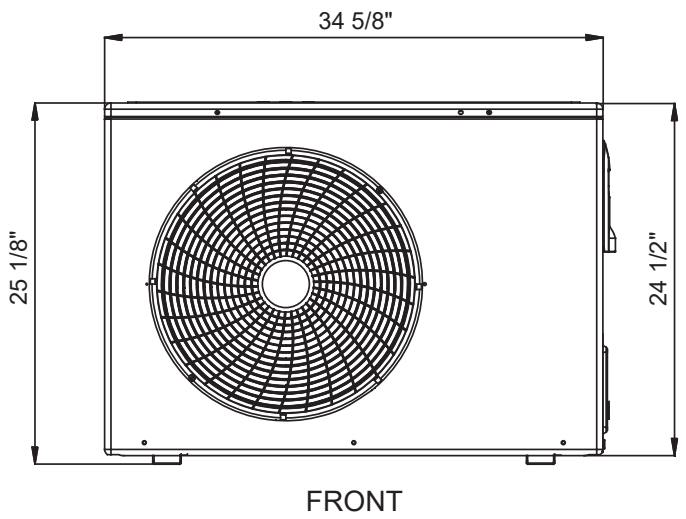
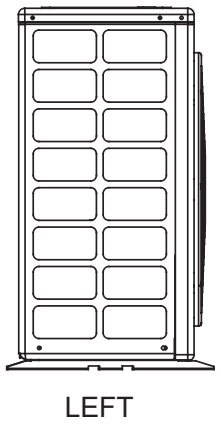
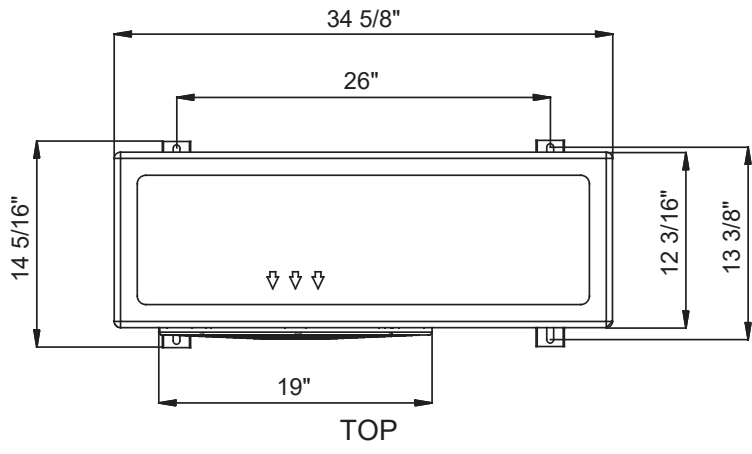
No.	Name	Description
①	Gas Pipe Connection	Ø 1/4" Flare
②	Liquid Pipe Connection	Ø 1/2" Flare
③	Drain Pipe Connection (gravity drain)	OD 1 1/4", ID 1"
④	Drain Pipe Connection (condensate pump)	OD 1 1/4", ID 1"
⑤	Control Box	-
⑥	Air Discharge Flange	-
⑦	Air Inlet	-
⑧	Suspension Hook	5/16" - 3/8"



P-Q Curve



In applications where there is not a tile ceiling, an inspection hole is required.
 If height between ceiling and structure is 1.64' or more, inspection opening "B" is recommended.
 If height between ceiling and structure is less than 1.64', inspection opening "A" and "B" is recommended (verify state and local codes).



No.	Name	Description
①	Gas Pipe Connection	Ø 1/4" Flare
②	Liquid Pipe Connection	Ø 1/2" Flare
③	Power and Comm. Wire Connection Cover	-