



TECHNICAL GUIDE

ADD - ON COILS FOR USE WITH SPLIT-SYSTEM COOLING & HEAT PUMPS

MODELS: CF, CM, CU

600 - 2000 CFM 1.5 - 5 TON COILS



UNCASED
UPFLOW
CU



UPFLOW/DOWNFLOW
FULL CASED
CF



MULTI-POSITION
FULL CASED
CM



Due to continuous product improvement, specifications are subject to change without notice.

Visit us on the web at:
www.upgnet.com and www.york.com

Additional rating information can be found at:

www.ahridirectory.org

DESCRIPTION

MaxAlloy™ aluminum indoor coils are specially designed to be installed with UPG furnaces or modular air handlers as part of a matched air conditioning or heat pump system.

UPG indoor coils can be applied with indoor orifices and/or TXVs according to the application. Most indoor coil models are available as “flex” coils for installation of the specific expansion device in the field. Select SKUs are available with factory-mounted TXVs or EEVs. Refer to the Technical Guide for the matched outdoor unit to determine the required indoor expansion device for your specific application.

CF series full cased coils are suitable for upflow or downflow applications.

CM series full cased coils have the added flexibility of multi-position installation. They are shipped as upflow / horizontal left and are easily convertible to downflow / horizontal right. Select CM Models are available with a factory manufactured electronic expansion valve.

CU series uncased coils are designed for upflow-only applications on top of furnaces. These coils may require field modification of the ductwork. A Partial Case accessory is also available, as shown on the accessories page.

If CF or CM coils are installed without the casing, a Diverter Shroud kit is required, as shown on the accessories page. CU coils include a factory-installed Diverter Shroud.

FEATURES

Rigid Case Construction - an interior endoskeleton provides structural support eliminating screw heads protruding from the side of the cabinet that could damage property when being installed.

Cabinet – Constructed of heavy gauge galvanized steel with a primer and finish coat providing a high quality corrosion resistant finish.

MaxAlloy™ Coil - Long life aluminum coils built to deliver lasting performance, efficiency and reliability.

Foil faced insulation -The cabinet is insulated with a single piece of cleanable foil faced insulation retained by the endoskeleton. The cabinet design is such that all edges of the insulation are contained.

Electronic Expansion Valve (EEV) - Factory installed on select CM models and sized to match with specific YZV and YXV high-efficiency variable capacity outdoor units.

Compact Cabinet - With the coil and access doors removed the cabinet has a 20.5” casing depth in all models, which provide ease of attic access and space constrained applications.

Thermoset Drain Pan - Corrosion and UV resistant with a positive slope for proper drainage. Low water retention design maximizes indoor air quality and consumer comfort.

Low Leakage Cabinet Design - Fully gasketed doors minimizes air leakage to no more than 2% when measured at 1.0” esp. minimizing conditioned air leakage and infiltration.

Duct Flange - Four sided duct flange is supplied to be field installed when required.

Thermostatic Expansion Valves-Select factory mounted as well as field mounted models available utilizing chatleff fittings, no brazing required.

ACCESSORIES

Refer to Price Manual for specific model numbers.

TXV Kits - Thermal expansion valve kits are available for flex coil applications with R-410A or R-407C refrigerant. All TXV kits are non-braze, bolt-on connections including the valve assembly and equalizer tube. No orifice or any other metering device is to be used in conjunction with the TXV.

Partial Case - Available to be used with CU coils in four widths. This option is intended for upflow applications where height limitations prevent the installation of full cased coils. The Partial Case design allows the top section of the indoor coil to be installed in the duct or plenum.

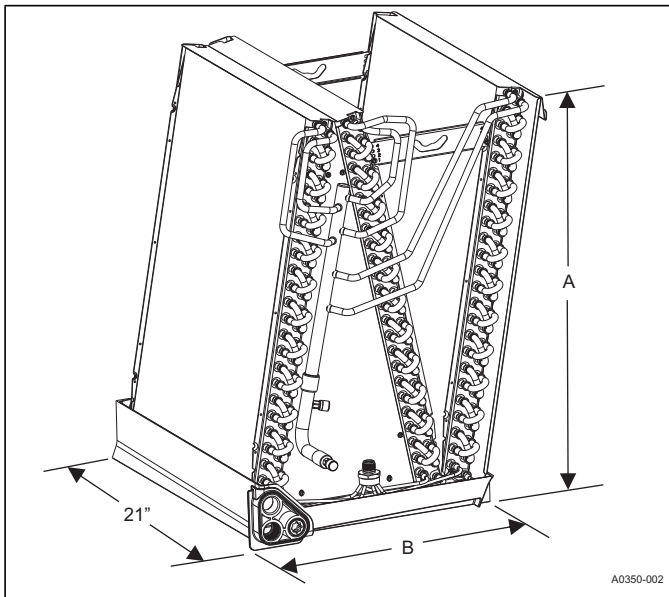
Coil Casing Without Coil - Coilless Cases are available in four widths that can be installed with the furnace or modular air handler during initial installation. This option is available to allow the installer the flexibility to add the coil at a later date without duct modifications.

LIST OF SECTIONS

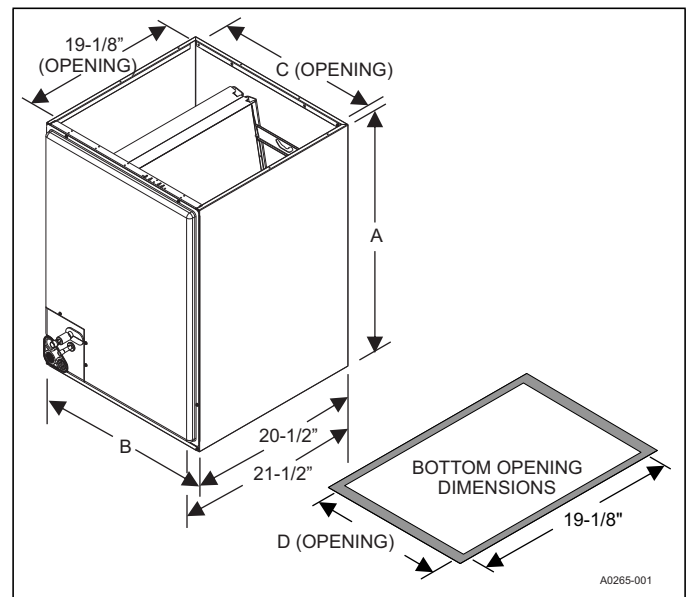
DESCRIPTION 1
FEATURES 1
ACCESSORIES 1
NOMENCLATURE 2
DIMENSIONS CF 3
DIMENSIONS CM 3
DIMENSIONS CU 4
COOLING CAPACITY - UPFLOW “N” TYPE COIL (COIL ONLY) 4
COOLING CAPACITY - FULL-CASED “N” TYPE MULTI-POSITION COIL (COIL ONLY) 6
COOLING CAPACITY - UNCASED UPFLOW “N” TYPE COIL (COIL ONLY) 7
APPLICATION FACTOR-RATED CFM VS. ACTUAL CFM 8
APPLICATION LIMITATIONS 8
STATIC PRESSURE VS. AIRFLOW BASED ON WET COIL - UPFLOW CASED “N” TYPE COIL 9
STATIC PRESSURE VS. AIRFLOW BASED ON WET COIL - CASED “N” TYPE MULTI-POSITION COIL 9
STATIC PRESSURE VS. AIRFLOW BASED ON WET COIL - UNCASED UPFLOW - “N” TYPE COIL 10
COIL TECHNICAL DATA - CASED UPFLOW/DOWNFLOW 11
COIL TECHNICAL DATA - FULL CASED “N” TYPE MULTI-POSITION 11
COIL TECHNICAL DATA - UNCASED UPFLOW - “N” TYPE 12
UPFLOW “N” TYPE COIL - AIR FLOW DATA (CFM) 12
MULTIPOSITION “N” TYPE COIL - AIR FLOW DATA (CFM) 13
UNCASED UPFLOW “N” TYPE COIL - AIR FLOW DATA (CFM) 13

NOMENCLATURE

PRODUCT TYPE	C	C = Coil (Indoor)
POSITION MOTOR TYPE	F	D = Horizontal Duct
		F = Full Cased, Upflow/Downflow
		M = Full Cased, Multi-Position
		U = Uncased, Upflow
NOMINAL UNIT CAPACITY	36	18 = 1.5 Ton 42 = 3.5 Ton 24, 25 = 2 Ton 48, 49, 50 = 4 Ton 30 = 2.5 Ton 60, 61, 64 = 5 Ton 36, 27, 38 = 3 Ton
CABINET WIDTH	B	A = 14.5" B = 17.5" C = 21.0" D = 24.5"
METERING DEVICE	X	BA - BG = TXV Valve Size E1 - E4 = EEV Valve Size X = No Valve (Flex Coil)
COIL TYPE	A	A = MaxAlloy™ Aluminum Tube C = Copper Tube
GENERATION (MAJOR REVISION)	1	1 = 1st Gen 2 = 2nd Gen etc.
STYLE LETTER (MINOR REVISION) NOT USED FOR ORDERING	A	A = Style A B = Style B etc.



DIMENSIONS - UC UNCASED COILS



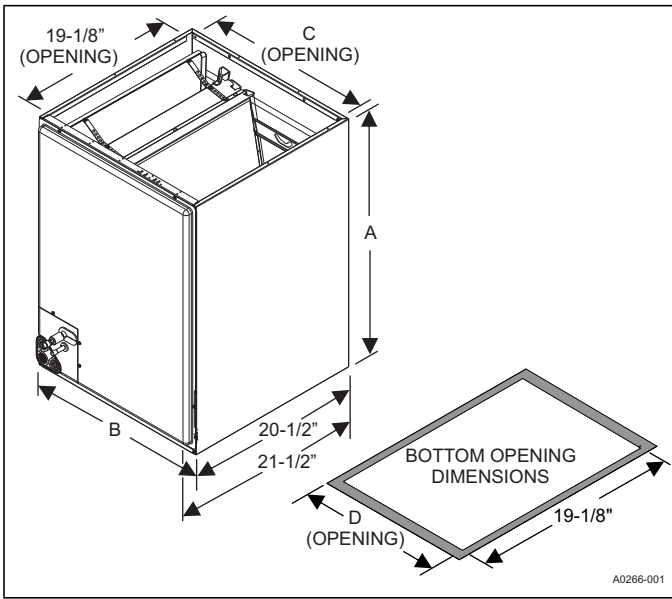
DIMENSIONS - CF UPFLOW/DOWNFLOW FULL CASED COILS

Models	Dimensions ¹		Refrigerant Connections ^{2,3,4}	
	Height	Width	Line Size	
	A	B	Liquid	Vapor
CU18A	13-3/8	13-3/8	3/8	3/4
CU18B	13-1/4	16-3/8		
CU24A	15-3/8	13-3/8		
CU24B	15-1/4	16-3/8		
CU24C	14-7/8	19-7/8		
CU30A	19-3/8	13-3/8		
CU30B	19-1/2	16-3/8		
CU30C	19-1/4	19-7/8		
CU30D	19	23-3/8		
CU36B	21-1/2	16-3/8		
CU36C	21-1/8	19-7/8		
CU36D	21-1/4	23-3/8		
CU42C	23-1/8	19-7/8	7/8	
CU42D	22-7/8	23-3/8		
CU48C	25-1/8	19-7/8		
CU48D	25	23-3/8		
CU60C	29-1/4	19-7/8		
CU60D	29	23-3/8		

Models ¹	Dimensions ²				Refrigerant Connections ^{3,4,5}	
	Height	Width	Opening Widths		Liquid	Vapor
	A	B	C	D		
CF18A*	19-1/2	14-1/2	13-1/2	13-1/2	3/8	3/4
CF18B	19	17-1/2	16-1/2	16-1/2		
CF24A*	19-1/2	14-1/2	13-1/2	13-1/2		
CF24B	19	17-1/2	16-1/2	16-1/2		
CF24C	21	21	20	20		
CF30A	21-5/8	14-1/2	13-1/2	13-1/2		
CF30B*	23	17-1/2	16-1/2	16-1/2		
CF30C	21	21	20	20		
CF30D	25	24-1/2	23-1/2	23-1/2		
CF36A	25-1/2	14-1/2	13-1/2	13-1/2		
CF36B*	25-5/8	17-1/2	16-1/2	16-1/2		
CF36C	23	21	20	20		
CF36D	25	24-1/2	23-1/2	23-1/2		
CF42B	25	17-1/2	16-1/2	16-1/2	7/8	
CF42C*	25	21	20	20		
CF42D	25	24-1/2	23-1/2	23-1/2		
CF48C*	27	21	20	20		
CF48D	27	24-1/2	23-1/2	23-1/2		
CF60C*	33	21	20	20		
CF60D	32-3/4	24-1/2	23-1/2	23-1/2		
CF64D	32-3/4	24-1/2	23-1/2	23-1/2		

1. All dimensions are in inches.
2. Refrigerant line sizes may require larger lines for extended line lengths. See Application Data part number 247077.
3. Adapter fitting must be field installed for other line set size.
4. See outdoor unit technical guide for proper line set size.

1. Asterisk (*) denotes coil model is available as a flex coil or with factory installed TXV.
2. All dimensions are in inches.
3. Refrigerant line sizes may require larger lines for extended line lengths. See Application Data part number 247077.
4. Adapter fitting must be field installed for other line set size.
5. See outdoor unit technical guide for proper line set size.



DIMENSIONS - CM MULTI-POSITION FULL CASED COILS

Models ¹	Dimensions ²				Refrigerant Connections ^{3,4,5}	
	Height	Width	Opening Widths		Liquid	Vapor
			A	B		
CM18A*	19-1/2	14-1/2	13-1/2	13-1/2	3/8	3/4
CM18B	19	17-1/2	16-1/2	16-1/2		
CM24A*	19-1/2	14-1/2	13-1/2	13-1/2		
CM24B*	19	17-1/2	16-1/2	16-1/2		
CM24C	21	21	20	20		
CM25B#	25-5/8	17-1/2	16-1/2	16-1/2		
CM30A*	25-1/2	14-1/2	13-1/2	13-1/2		
CM30B*	23	17-1/2	16-1/2	16-1/2		
CM30C	23	21	20	20		
CM30D	25	24-1/2	23-1/2	23-1/2		
CM36A	25-1/2	14-1/2	13-1/2	13-1/2		
CM36B*	25-5/8	17-1/2	16-1/2	16-1/2		
CM36C*	25	21	20	20		
CM36D	25	24-1/2	23-1/2	23-1/2		
CM37B#	25-5/8	17-1/2	16-1/2	16-1/2		
CM37C#	25	21	20	20		
CM38B#	25-5/8	17-1/2	16-1/2	16-1/2		
CM38C#	33	21	20	20		
CM42C*	27	21	20	20		
CM42D	27	24-1/2	23-1/2	23-1/2		
CM48C*	33	21	20	20		
CM48D*	32-3/4	24-1/2	23-1/2	23-1/2		
CM49C#	33	21	20	20		
CM49D#	32-3/4	24-1/2	23-1/2	23-1/2		
CM50C#	37-1/4	21	20	20		
CM50D#	37-1/4	24-1/2	23-1/2	23-1/2		
CM60C*	33	21	20	20		
CM60D*	32-3/4	24-1/2	23-1/2	23-1/2		
CM61C#	37-1/4	21	20	20		
CM61D#	37-1/4	24-1/2	23-1/2	23-1/2		
CM64D	32-3/4	24-1/2	23-1/2	23-1/2	7/8	

1. **Asterisk (*)** denotes coil model is available as a flex coil or with factory installed TXV.
2. **Number sign (#)** denotes coils only available with Factory Mount EEV.
3. All dimensions are in inches.
4. Refrigerant line sizes may require larger lines for extended line lengths. See Application Data part number 247077.
5. Adapter fitting must be field installed for other line set size.
6. See outdoor unit technical guide for proper line set size.

COOLING CAPACITY - UPFLOW "N" TYPE COIL (COIL ONLY¹)

Models	Rated CFM	Entering Air Dry/Wet Bulb (°F)	MBH@ Evap. Temp. and Corresponding R-410A Pressure (°F/PSIG)			
			35/107.9	40/118.9	45/130.7	50/143.3
CF18A	600	85/72	45.7	41.6	36.8	30.5
		80/67	38.5	33.9	28.5	22.3
		75/62	31.5	26.5	20.5	15.9
		70/57	24.4	19.5	15.2	11.5
CF18B	600	85/72	45.7	41.6	36.8	30.5
		80/67	38.5	33.9	28.5	22.3
		75/62	31.5	26.5	20.5	15.9
		70/57	24.4	19.5	15.2	11.5
CF24A	800	85/72	52.2	47.5	41.8	35.0
		80/67	43.6	38.3	31.9	24.5
		75/62	35.2	29.5	22.7	16.2
		70/57	27.1	20.7	15.5	11.4
CF24B	800	85/72	52.2	47.5	41.8	35.0
		80/67	43.6	38.3	31.9	24.5
		75/62	35.2	29.5	22.7	16.2
		70/57	27.1	20.7	15.5	11.4
CF24C	800	85/72	52.2	47.5	41.8	35.0
		80/67	43.6	38.3	31.9	24.5
		75/62	35.2	29.5	22.7	16.2
		70/57	27.1	20.7	15.5	11.4
CF30A	1000	85/72	75.3	67.8	56.8	47.1
		80/67	62.6	54.6	44.2	34.5
		75/62	50.2	41.3	32.0	22.9
		70/57	37.8	30.1	21.5	16.2
CF30B	1000	85/72	75.3	67.8	56.8	47.1
		80/67	62.6	54.6	44.2	34.5
		75/62	50.2	41.3	32.0	22.9
		70/57	37.8	30.1	21.5	16.2
CF30C	1000	85/72	75.3	67.8	56.8	47.1
		80/67	62.6	54.6	44.2	34.5
		75/62	50.2	41.3	32.0	22.9
		70/57	37.8	30.1	21.5	16.2
CF30D	1000	85/72	75.3	67.8	56.8	47.1
		80/67	62.6	54.6	44.2	34.5
		75/62	50.2	41.3	32.0	22.9
		70/57	37.8	30.1	21.5	16.2
CF36A	1200	85/72	91.6	82.4	71.3	59.4
		80/67	76.5	65.4	54.6	42.8
		75/62	61.3	51.2	40.0	30.5
		70/57	47.5	38.1	28.7	22.3
CF36B	1200	85/72	91.6	82.4	71.3	59.4
		80/67	76.5	65.4	54.6	42.8
		75/62	61.3	51.2	40.0	30.5
		70/57	47.5	38.1	28.7	22.3
CF36C	1200	85/72	91.6	82.4	71.3	59.4
		80/67	76.5	65.4	54.6	42.8
		75/62	61.3	51.2	40.0	30.5
		70/57	47.5	38.1	28.7	22.3
CF36D	1200	85/72	91.6	82.4	71.3	59.4
		80/67	76.5	65.4	54.6	42.8
		75/62	61.3	51.2	40.0	30.5
		70/57	47.5	38.1	28.7	22.3

Continued on next page.

COOLING CAPACITY - UPFLOW "N" TYPE COIL (COIL ONLY¹) (Continued)

Models	Rated CFM	Entering Air Dry/Wet Bulb (°F)	MBH@ Evap. Temp. and Corresponding R-410A Pressure (°F/PSIG)			
			35/107.9	40/118.9	45/130.7	50/143.3
CF42B	1400	85/72	100.6	89.8	78.2	64.7
		80/67	83.5	73.7	59.8	48.0
		75/62	67.8	55.8	44.7	32.5
		70/57	52.3	41.5	30.7	23.7
CF42C	1400	85/72	100.6	89.8	78.2	64.7
		80/67	83.5	73.7	59.8	48.0
		75/62	67.8	55.8	44.7	32.5
		70/57	52.3	41.5	30.7	23.7
CF42D	1400	85/72	100.6	89.8	78.2	64.7
		80/67	83.5	73.7	59.8	48.0
		75/62	67.8	55.8	44.7	32.5
		70/57	52.3	41.5	30.7	23.7
CF48C	1600	85/72	115.2	105.0	93.9	79.0
		80/67	88.3	78.2	65.5	52.6
		75/62	72.7	60.8	50.1	37.6
		70/57	57.7	46.9	36.6	29.7
CF48D	1600	85/72	115.2	105.0	93.9	79.0
		80/67	88.3	78.2	65.5	52.6
		75/62	72.7	60.8	50.1	37.6
		70/57	57.7	46.9	36.6	29.7
CF60C	1800	85/72	115.1	103.0	91.7	78.6
		80/67	96.8	85.9	73.7	60.5
		75/62	80.7	69.4	57.5	43.5
		70/57	58.7	48.9	37.7	32.7
CF60D	1800	85/72	115.1	103.0	91.7	78.6
		80/67	96.8	85.9	73.7	60.5
		75/62	80.7	69.4	57.5	43.5
		70/57	58.7	48.9	37.7	32.7
CF64D	1800	85/72	133.6	118.5	103.2	86.6
		80/67	111.4	96.2	80.3	62.8
		75/62	90.7	75.1	60.0	43.5
		70/57	70.6	56.9	42.5	32.8

1. See Condensing Unit or Heat Pump Technical Guide for Total Cooling Capacity and Sensible Capacity.

COOLING CAPACITY - FULL-CASED "N" AND "A" TYPE MULTI-POSITION COIL (COIL ONLY¹)

Model Coil	Rated CFM	Entering Air °F (Dry/Wet Bulb)	MBH@ Evaporator Temperature and Corresponding Pressure °F / PSIG			
			35/107.9	40/118.9	45/130.7	50/143.3
CM18A	600	85/72	45.7	41.6	36.8	30.5
		80/67	38.5	33.9	28.5	22.3
		75/62	31.5	26.5	20.5	15.9
		70/57	24.4	19.5	15.2	11.5
CM18B	600	85/72	45.7	41.6	36.8	30.5
		80/67	38.5	33.9	28.5	22.3
		75/62	31.5	26.5	20.5	15.9
		70/57	24.4	19.5	15.2	11.5
CM24A	800	85/72	52.2	47.5	41.8	35.0
		80/67	43.6	38.3	31.9	24.5
		75/62	35.2	29.5	22.7	16.2
		70/57	27.1	20.7	15.5	11.4
CM24B	800	85/72	52.2	47.5	41.8	35.0
		80/67	43.6	38.3	31.9	24.5
		75/62	35.2	29.5	22.7	16.2
		70/57	27.1	20.7	15.5	11.4
CM24C	800	85/72	52.2	47.5	41.8	35.0
		80/67	43.6	38.3	31.9	24.5
		75/62	35.2	29.5	22.7	16.2
		70/57	27.1	20.7	15.5	11.4
CM25B	780	85/72	55.1	48.8	40.7	31.5
		80/67	45.5	37.3	29.3	22.1
		75/62	33.9	27.8	20.8	14.2
		70/57	26.1	19.5	14.3	10.5
CM37B	1200	85/72	79.3	69.5	57.4	44.8
		80/67	64.0	53.3	42.6	30.7
		75/62	50.0	39.0	29.9	19.9
		70/57	37.3	29.0	20.2	15.4
CM30A	1000	85/72	75.3	67.8	56.8	47.1
		80/67	62.6	54.6	44.2	34.5
		75/62	50.2	41.3	32.0	22.9
		70/57	37.8	30.1	21.5	16.2
CM30B	1000	85/72	75.3	67.8	56.8	47.1
		80/67	62.6	54.6	44.2	34.5
		75/62	50.2	41.3	32.0	22.9
		70/57	37.8	30.1	21.5	16.2
CM30C	1000	85/72	75.3	67.8	56.8	47.1
		80/67	62.6	54.6	44.2	34.5
		75/62	50.2	41.3	32.0	22.9
		70/57	37.8	30.1	21.5	16.2
CM30D	1000	85/72	75.3	67.8	56.8	47.1
		80/67	62.6	54.6	44.2	34.5
		75/62	50.2	41.3	32.0	22.9
		70/57	37.8	30.1	21.5	16.2
CM36A	1200	85/72	91.6	82.4	71.3	59.4
		80/67	76.5	65.4	54.6	42.8
		75/62	61.3	51.2	40.0	30.5
		70/57	47.5	38.1	28.7	22.3
CM36B	1200	85/72	91.6	82.4	71.3	59.4
		80/67	76.5	65.4	54.6	42.8
		75/62	61.3	51.2	40.0	30.5
		70/57	47.5	38.1	28.7	22.3

Continued on next page.

COOLING CAPACITY - FULL-CASED "N" AND "A" TYPE MULTI-POSITION COIL (COIL ONLY¹) (Continued)

Model Coil	Rated CFM	Entering Air °F (Dry/Wet Bulb)	MBH@ Evaporator Temperature and Corresponding Pressure °F / PSIG			
			35/107.9	40/118.9	45/130.7	50/143.3
CM36C	1200	85/72	91.6	82.4	71.3	59.4
		80/67	76.5	65.4	54.6	42.8
		75/62	61.3	51.2	40.0	30.5
		70/57	47.5	38.1	28.7	22.3
CM36D	1200	85/72	91.6	82.4	71.3	59.4
		80/67	76.5	65.4	54.6	42.8
		75/62	61.3	51.2	40.0	30.5
		70/57	47.5	38.1	28.7	22.3
CM37C	1200	85/72	79.3	69.5	57.4	44.8
		80/67	64.0	53.3	42.6	30.7
		75/62	50.0	39.0	29.9	19.9
		70/57	37.3	29.0	20.2	15.4
CM38B	1200	85/72	95.7	83.7	72.7	59.6
		80/67	77.6	66.7	54.7	41.6
		75/62	62.1	50.8	39.0	26.7
		70/57	47.6	37.4	26.2	19.8
CM38C	1200	85/72	95.7	83.7	72.7	59.6
		80/67	77.6	66.7	54.7	41.6
		75/62	62.1	50.8	39.0	26.7
		70/57	47.6	37.4	26.2	19.8
CM42C	1400	85/72	100.6	89.8	78.2	64.7
		80/67	83.5	73.7	59.8	48.0
		75/62	67.8	55.8	44.7	32.5
		70/57	52.3	41.5	30.7	23.7
CM42D	1400	85/72	100.6	89.8	78.2	64.7
		80/67	83.5	73.7	59.8	48.0
		75/62	67.8	55.8	44.7	32.5
		70/57	52.3	41.5	30.7	23.7
CM48C	1600	85/72	115.2	105.0	93.9	79.0
		80/67	88.3	78.2	65.5	52.6
		75/62	72.7	60.8	50.1	37.6
		70/57	57.7	46.9	36.6	29.7
CM48D	1600	85/72	115.2	105.0	93.9	79.0
		80/67	88.3	78.2	65.5	52.6
		75/62	72.7	60.8	50.1	37.6
		70/57	57.7	46.9	36.6	29.7
CM49C	1500	85/72	100.9	89.3	76.9	61.9
		80/67	82.7	70.7	57.6	44.1
		75/62	65.7	53.9	41.0	28.0
		70/57	50.2	38.5	27.7	21.2
CM49D	1600	85/72	105.5	93.5	80.5	65.0
		80/67	86.9	74.2	60.4	45.6
		75/62	68.6	56.0	42.5	29.4
		70/57	52.5	40.2	28.3	21.6
CM50D	1600	85/72	112.6	99.2	83.5	68.6
		80/67	91.9	77.3	60.5	39.7
		75/62	72.1	44.3	38.5	29.3
		70/57	43.2	37.1	28.2	23.2
CM60C	1800	85/72	115.1	103.0	91.7	78.6
		80/67	96.8	85.9	73.7	60.5
		75/62	80.7	69.4	57.5	43.5
		70/57	58.7	48.9	37.7	32.7

Continued on next page.

COOLING CAPACITY - FULL-CASED "N" AND "A" TYPE MULTI-POSITION COIL (COIL ONLY¹) (Continued)

Model Coil	Rated CFM	Entering Air °F (Dry/Wet Bulb)	MBH@ Evaporator Temperature and Corresponding Pressure °F / PSIG			
			35/107.9	40/118.9	45/130.7	50/143.3
CM60D	1800	85/72	115.1	103.0	91.7	78.6
		80/67	96.8	85.9	73.7	60.5
		75/62	80.7	69.4	57.5	43.5
		70/57	58.7	48.9	37.7	32.7
CM61C	1600	85/72	112.6	99.2	83.5	68.6
		80/67	91.9	77.3	60.5	39.7
		75/62	72.1	44.3	38.5	29.3
		70/57	43.2	37.1	28.2	23.2
CM61D	1800	85/72	121.2	107.6	92.9	73.3
		80/67	99.3	84.6	67.9	41.1
		75/62	77.4	45.0	39.9	31.1
		70/57	44.1	38.7	29.9	24.9
CM64D	1800	85/72	133.6	118.5	103.2	86.6
		80/67	111.4	96.2	80.3	62.8
		75/62	90.7	75.1	60.0	43.5
		70/57	70.6	56.9	42.5	32.8

NOTE:

1. See Condensing Unit or Heat Pump Technical Guide for Total Cooling Capacity and Sensible Capacity.

COOLING CAPACITY - UNCASED UPFLOW "N" TYPE COIL (COIL ONLY¹)

Models	Rated CFM ²	Entering Air Dry/Wet Bulb (°F)	MBH@ Evap. Temp. and Corresponding R-410A Pressure (°F/PSIG)			
			35/107.9	40/118.9	45/130.7	50/143.3
CU18A	600	85/72	45.7	41.6	36.8	30.5
		80/67	38.5	33.9	28.5	22.3
		75/62	31.5	26.5	20.5	15.9
		70/57	24.4	19.5	15.2	11.5
CU18B	600	85/72	45.7	41.6	36.8	30.5
		80/67	38.5	33.9	28.5	22.3
		75/62	31.5	26.5	20.5	15.9
		70/57	24.4	19.5	15.2	11.5
CU24A	800	85/72	52.2	47.5	41.8	35.0
		80/67	43.6	38.3	31.9	24.5
		75/62	35.2	29.5	22.7	16.2
		70/57	27.1	20.7	15.5	11.4
CU24B	800	85/72	52.2	47.5	41.8	35.0
		80/67	43.6	38.3	31.9	24.5
		75/62	35.2	29.5	22.7	16.2
		70/57	27.1	20.7	15.5	11.4
CU24C	800	85/72	52.2	47.5	41.8	35.0
		80/67	43.6	38.3	31.9	24.5
		75/62	35.2	29.5	22.7	16.2
		70/57	27.1	20.7	15.5	11.4
CU30A	1000	85/72	75.3	67.8	56.8	47.1
		80/67	62.6	54.6	44.2	34.5
		75/62	50.2	41.3	32.0	22.9
		70/57	37.8	30.1	21.5	16.2
CU30B	1000	85/72	75.3	67.8	56.8	47.1
		80/67	62.6	54.6	44.2	34.5
		75/62	50.2	41.3	32.0	22.9
		70/57	37.8	30.1	21.5	16.2

Continued on next page.

COOLING CAPACITY - UNCASED UPFLOW "N" TYPE COIL (COIL ONLY¹) (Continued)

Models	Rated CFM ²	Entering Air Dry/Wet Bulb (°F)	MBH@ Evap. Temp. and Corresponding R-410A Pressure (°F/PSIG)			
			35/107.9	40/118.9	45/130.7	50/143.3
CU30C	1000	85/72	75.3	67.8	56.8	47.1
		80/67	62.6	54.6	44.2	34.5
		75/62	50.2	41.3	32.0	22.9
		70/57	37.8	30.1	21.5	16.2
CU30D	1000	85/72	75.3	67.8	56.8	47.1
		80/67	62.6	54.6	44.2	34.5
		75/62	50.2	41.3	32.0	22.9
		70/57	37.8	30.1	21.5	16.2
CU36B	1200	85/72	91.6	82.4	71.3	59.4
		80/67	76.5	65.4	54.6	42.8
		75/62	61.3	51.2	40.0	30.5
		70/57	47.5	38.1	28.7	22.3
CU36C	1200	85/72	91.6	82.4	71.3	59.4
		80/67	76.5	65.4	54.6	42.8
		75/62	61.3	51.2	40.0	30.5
		70/57	47.5	38.1	28.7	22.3
CU36D	1200	85/72	91.6	82.4	71.3	59.4
		80/67	76.5	65.4	54.6	42.8
		75/62	61.3	51.2	40.0	30.5
		70/57	47.5	38.1	28.7	22.3
CU42C	1400	85/72	100.6	89.8	78.2	64.7
		80/67	83.5	73.7	59.8	48.0
		75/62	67.8	55.8	44.7	32.5
		70/57	52.3	41.5	30.7	23.7
CU42D	1400	85/72	100.6	89.8	78.2	64.7
		80/67	83.5	73.7	59.8	48.0
		75/62	67.8	55.8	44.7	32.5
		70/57	52.3	41.5	30.7	23.7
CU48C	1600	85/72	115.2	105.0	93.9	79.0
		80/67	88.3	78.2	65.5	52.6
		75/62	72.7	60.8	50.1	37.6
		70/57	57.7	46.9	36.6	29.7
CU48D	1600	85/72	115.2	105.0	93.9	79.0
		80/67	88.3	78.2	65.5	52.6
		75/62	72.7	60.8	50.1	37.6
		70/57	57.7	46.9	36.6	29.7
CU60C	1800	85/72	115.1	103.0	91.7	78.6
		80/67	96.8	85.9	73.7	60.5
		75/62	80.7	69.4	57.5	43.5
		70/57	58.7	48.9	37.7	32.7
CU60D	1800	85/72	115.1	103.0	91.7	78.6
		80/67	96.8	85.9	73.7	60.5
		75/62	80.7	69.4	57.5	43.5
		70/57	58.7	48.9	37.7	32.7

1. See Condensing Unit or Heat Pump Technical Guide for Total Cooling Capacity and Sensible Capacity.

APPLICATION FACTOR-RATED CFM VS. ACTUAL CFM

% Of Rated Air Flow (CFM)*	80%	90%	100%	110%	120%
Capacity Factor	0.96	0.98	1	1.02	1.03

*Do not exceed minimum/maximum CFM limits shown under Air Flow Data.

APPLICATION LIMITATIONS

These units must be installed in accordance with all national and local safety codes.

Air flow must be within the minimum and maximum limits approved for electric heat, evaporator coils and outdoor units.

**STATIC PRESSURE VS. AIRFLOW
BASED ON WET COIL -
UPFLOW CASED "N" TYPE COIL**

Model	Airflow	Wet Coil
CF18A	500	0.13
	600	0.17
	675	0.21
CF18B	525	0.09
	600	0.11
	675	0.13
CF24A	650	0.19
	800	0.27
	900	0.35
CF24B	650	0.09
	800	0.14
	900	0.17
CF24C	650	0.09
	800	0.11
	900	0.13
CF30A	825	0.25
	1000	0.34
	1125	0.41
CF30B	825	0.16
	1000	0.22
	1125	0.26
CF30C	825	0.10
	1000	0.13
	1125	0.15
CF30D	825	0.08
	1000	0.10
	1125	0.12
CF36A	975	0.34
	1200	0.45
	1350	0.54
CF36B	975	0.20
	1200	0.29
	1350	0.38
CF36C	975	0.12
	1200	0.22
	1350	0.26
CF36D	975	0.08
	1200	0.12
	1350	0.15
CF42B	1150	0.26
	1400	0.34
	1575	0.40
CF42C	1150	0.16
	1400	0.21
	1575	0.26
CF42D	1150	0.12
	1400	0.16
	1575	0.19
CF48C	1300	0.19
	1600	0.25
	1800	0.30

**STATIC PRESSURE VS. AIRFLOW
BASED ON WET COIL -
UPFLOW CASED "N" TYPE COIL**

Model	Airflow	Wet Coil
CF48D	1300	0.13
	1600	0.18
	1800	0.21
CF60C	1625	0.24
	1800	0.28
	2000	0.33
	2250	0.41
CF60D	1625	0.20
	1800	0.23
	2000	0.28
CF64D	2250	0.34
	1625	0.24
	1800	0.30
	2000	0.37
	2250	0.49

**STATIC PRESSURE VS. AIRFLOW BASED ON WET
COIL - CASED "N" AND "A" TYPE MULTI-POSITION
COIL**

Model	Airflow	Static
CM18A	500	0.14
	600	0.18
	675	0.22
CM18B	525	0.09
	600	0.11
	675	0.13
CM24A	650	0.20
	800	0.29
	900	0.37
CM24B	650	0.09
	800	0.14
	900	0.18
CM24C	650	0.09
	800	0.12
	900	0.14
CM25B	975	0.21
	1200	0.32
	1350	0.41
CM30A	825	0.26
	1000	0.37
	1125	0.44
CM30B	825	0.18
	1000	0.23
	1125	0.28
CM30C	825	0.10
	1000	0.14
	1125	0.16
CM30D	825	0.08
	1000	0.10
	1125	0.12
CM36A	975	0.36
	1200	0.49
	1350	0.58

Continued on next page

STATIC PRESSURE VS. AIRFLOW BASED ON WET COIL - CASED "N" AND "A" TYPE MULTI-POSITION COIL (Continued)

Model	Airflow	Static
CM36B	975	0.21
	1200	0.32
	1350	0.41
CM36C	975	0.13
	1200	0.17
	1350	0.21
CM36D	975	0.10
	1200	0.13
	1350	0.15
CM37B	975	0.21
	1200	0.32
	1350	0.41
CM37C	975	0.13
	1200	0.17
	1350	0.21
CM38B	TBD	TBD
CM38C	975	0.15
	1200	0.23
	1350	0.30
CM42C	1150	0.17
	1400	0.22
	1575	0.27
CM42D	1150	0.13
	1400	0.17
	1575	0.20
CM48C	1300	0.20
	1600	0.27
	1800	0.31
CM48D	1300	0.14
	1600	0.19
	1800	0.23
CM49C	1300	0.27
	1600	0.41
	1800	0.52
CM49D	1300	0.20
	1600	0.27
	1800	0.33
CM50C	1625	0.30
	1800	0.36
	2000	0.44
CM50D	1625	0.25
	1800	0.30
	2250	0.46
CM60C	1625	0.25
	1800	0.30
	2000	0.35
CM60D	2250	0.43
	1625	0.21
	1800	0.25
	2000	0.30
	2250	0.36

STATIC PRESSURE VS. AIRFLOW BASED ON WET COIL - CASED "N" AND "A" TYPE MULTI-POSITION COIL (Continued)

Model	Airflow	Static
CM61C	1625	0.30
	1800	0.36
	2000	0.44
	2250	0.56
CM61D	1625	0.26
	1800	0.29
	2000	0.35
	2250	0.44
CM64D	1625	0.26
	1800	0.32
	2000	0.41
	2250	0.54

STATIC PRESSURE VS. AIRFLOW BASED ON WET COIL - UNCASSED UPFLOW - "N" TYPE COIL

Model	Airflow	Wet Coil
CU18A	500	0.14
	600	0.18
	675	0.22
CU18B	525	0.09
	600	0.11
	675	0.13
CU24A	650	0.20
	800	0.29
	900	0.37
CU24B	650	0.09
	800	0.14
	900	0.18
CU24C	650	0.09
	800	0.12
	900	0.14
CU30A	825	0.26
	1000	0.37
	1125	0.44
CU30B	825	0.18
	1000	0.23
	1125	0.28
CU30C	825	0.10
	1000	0.14
	1125	0.16
CU30D	825	0.08
	1000	0.10
	1125	0.12
CU36B	975	0.21
	1200	0.32
	1350	0.41
CU36C	975	0.13
	1200	0.17
	1350	0.21

**STATIC PRESSURE VS. AIRFLOW BASED ON WET
COIL - UNCASSED UPFLOW - "N" TYPE COIL
(Continued)**

Model	Airflow	Wet Coil
CU36D	975	0.10
	1200	0.13
	1350	0.15
CU42C	1150	0.17
	1400	0.22
	1575	0.27
CU42D	1150	0.13
	1400	0.17
	1575	0.20
CU48C	1300	0.20
	1600	0.27
	1800	0.31
CU48D	1300	0.14
	1600	0.19
	1800	0.23
CU60C	1625	0.25
	1800	0.30
	2000	0.35
	2250	0.43
CU60D	1625	0.21
	1800	0.25
	2000	0.30
	2250	0.36

COIL TECHNICAL DATA¹ - CASSED UPFLOW/DOWNFLOW

Model	Application	Refrig. Conn. Types	Face Area (Sq. Ft.)	Rows Deep	Fin Per In.	Coil Size	Tube Geometry	Tube Dia.	Fin Type	Shipping Weight (lbs)	Installed Weight (lbs)
CF18A	Cooling/Heat Pump	Sweat	4.28	2	14	(3) 12 x 17.1	1 x 0.866	3/8"	Sine Wave	38	37
CF18B			4.28	2	14	(3) 12 x 17.1				40	39
CF24A			4.99	2	14	(3) 14 x 17.1				41	40
CF24B			4.99	2	14	(3) 14 x 17.1				42	41
CF24C			4.99	2	14	(3) 14 x 17.1				43	42
CF30A			6.41	2	14	(3) 18 x 17.1				47	46
CF30B			6.41	2	14	(3) 18 x 17.1				50	49
CF30C			6.41	2	14	(3) 18 x 17.1				51	50
CF30D			6.41	2	14	(3) 18 x 17.1				52	51
CF36A			7.12	2	14	(3) 20 x 17.1				51	50
CF36B			7.12	2	14	(3) 20 x 17.1				53	52
CF36C			7.12	2	14	(3) 20 x 17.1				54	53
CF36D			7.12	2	14	(3) 20 x 17.1				61	60
CF42B			7.84	2	14	(3) 22 x 17.1				57	56
CF42C			7.84	2	14	(3) 22 x 17.1				59	58
CF42D			7.84	2	14	(3) 22 x 17.1				62	61
CF48C			8.55	2	14	(3) 24 x 17.1				63	62
CF48D			8.55	2	14	(3) 24 x 17.1				65	64
CF60C			9.98	2	14	(3) 28 x 17.1				73	72
CF60D			9.98	2	14	(3) 28 x 17.1				75	74
CF64D	9.98	3	12	(3) 28 x 17.1	80	79					

1. Refer to the matching outdoor unit Technical Guide for correct TXV.

COIL TECHNICAL DATA¹ - FULL CASED “N” AND “A” TYPE MULTI-POSITION

Model	Application	Refrig. Conn. Types	Face Area (Sq. Ft.)	Rows Deep	Fins Per In.	Coil Size	Tube Geometry	Tube Dia.	Fin Type	Shipping Weight (lbs)	Installed Weight (lbs)
CM18A	Cooling /Heat Pump	Sweat	4.28	2	14	(3) 12 x 17.1	1 x 0.866	3/8	Sine Wave	40	39
CM18B			4.28	2	14	(3) 12 x 17.1				42	41
CM24A			4.99	2	14	(3) 14 x 17.1				43	42
CM24B			4.99	2	14	(3) 14 x 17.1				44	43
CM24C			4.99	2	14	(3) 14 x 17.1				45	44
CM25B			7.13	2	14	(3) 20 x 17.1				56	55
CM30A			6.41	2	14	(3) 18 x 17.1				49	48
CM30B			6.41	2	14	(3) 18 x 17.1				52	51
CM30C			6.41	2	14	(3) 18 x 17.1				53	52
CM30D			6.41	2	14	(3) 18 x 17.1				54	53
CM36A			7.12	2	14	(3) 20 x 17.1				53	52
CM36B			7.12	2	14	(3) 20 x 17.1				55	54
CM36C			7.12	2	14	(3) 20 x 17.1				56	55
CM36D			7.12	2	14	(3) 20 x 17.1				63	62
CM37B			7.13	2	14	(3) 20 x 17.1				56	55
CM37C			7.13	2	14	(3) 20 x 17.1				57	56
CM38B			7.13	2	14	(3) 20 x 17.1				56	55
CM38C			6.65	3	12	(2) 28 x 17.1				76	75
CM42C			7.84	2	14	(3) 22 x 17.1				61	60
CM42D			7.84	2	14	(3) 22 x 17.1				64	63
CM48C			8.55	2	14	(3) 24 x 17.1				65	64
CM48D			8.55	2	14	(3) 24 x 17.1				67	66
CM49C			6.65	3	12	(2) 28 x 17.1				76	75
CM49D			6.65	3	12	(2) 28 x 17.1				78	77
CM50C			7.60	3	12	(2) 32 x 17.1				80	79
CM50D			7.60	3	12	(2) 32 x 17.1				81	80
CM60C			9.98	2	14	(3) 28 x 17.1				75	74
CM60D			9.98	2	14	(3) 28 x 17.1				77	76
CM61C			7.60	3	12	(2) 32 x 17.1				80	79
CM61D			7.60	3	12	(2) 32 x 17.1				81	80
CM64D			9.98	3	12	(3) 28 x 17.1				83	82

1. Refer to the matching outdoor unit Technical Guide for correct TXV.

Note: CM coils supplied with a factory installed horizontal drain pan (H).

COIL TECHNICAL DATA¹ - UNCASED UPFLOW - "N" TYPE

Models	Application	Refrig. Conn. Types	Face Area (Sq. Ft.)	Rows Deep	Fins Per Inch	Coil Size	Tube Geometry	Tube Diameter	Fin Type	Shipping Weight (lbs)	Installed Weight (lbs)
CU18A	Cooling /Heat Pump	Sweat	4.28	2	14	(3) 12 x 17.1	1 x 0.866	3/8"	Sine Wave	23	20
CU18B			4.28			(3) 12 x 17.1				25	20
CU24A			4.99			(3) 14 x 17.1				25	22
CU24B			4.99			(3) 14 x 17.1				26	23
CU24C			4.99			(3) 14 x 17.1				27	24
CU30A			6.41			(3) 18 x 17.1				31	28
CU30B			6.41			(3) 18 x 17.1				31	28
CU30C			6.41			(3) 18 x 17.1				32	29
CU30D			6.41			(3) 18 x 17.1				33	30
CU36B			7.12			(3) 20 x 17.1				34	31
CU36C			7.12			(3) 20 x 17.1				35	32
CU36D			7.12			(3) 20 x 17.1				36	33
CU42C			7.84			(3) 22 x 17.1				38	35
CU42D			7.84			(3) 22 x 17.1				39	36
CU48C			8.55			(3) 24 x 17.1				41	38
CU48D			8.55			(3) 24 x 17.1				42	39
CU60C			9.98			(3) 28 x 17.1				46	43
CU60D			9.98			(3) 28 x 17.1				47	44

1. Refer to the matching outdoor unit Technical Guide for correct TXV.

AIR FLOW DATA - STATIC PRESSURE DROP FOR CU MODELS¹

Models	External Static Pressure (in. wc.)						
	0.1	0.2	0.3	0.4	0.5	0.6	0.7
CU18A	500	700	840	1000	1118	1225	1323
CU18B	670	960	1180	1340	1498	1641	1773
CU24A	490	710	850	980	1096	1200	1296
CU24B	760	1050	1330	1520	1699	1862	2011
CU24C	910	1330	1640	1820	2035	2229	2408
CU30A	520	750	950	1040	1163	1274	1376
CU30B	670	1000	1230	1340	1498	1641	1773
CU30C	970	1410	1710	1940	2169	2376	2566
CU30D	1180	1720	2100	2360	2639	2890	3122
CU36B	710	1020	1210	1420	1588	1739	1878
CU36C	980	1420	1690	1960	2191	2400	2593
CU36D	1210	1750	2150	2420	2706	2964	3201
CU42C	970	1420	1750	1940	2169	2376	2566
CU42D	1190	1730	2130	2380	2661	2915	3148
CU48C	970	1450	1910	1940	2169	2376	2566
CU48D	1250	1820	2250	2500	2795	3062	3307
CU60C	910	1730	2140	1820	2035	2229	2408
CU60D	1220	1730	2140	2440	2728	2988	3228

1. Dry coil conditions only, tested without filters.

For optimal performance, external static pressures of 0.2" to 0.5" are recommended. Applications above 0.6" are not recommended.

AIR FLOW DATA - STATIC PRESSURE DROP FOR CF MODELS¹

Models	External Static Pressure (in. wc.)						
	0.1	0.2	0.3	0.4	0.5	0.6	0.7
CF18A	515	720	870	1030	1152	1261	1363
CF18B	700	1000	1220	1400	1565	1715	1852
CF24A	500	730	880	1000	1118	1225	1323
CF24B	780	1090	1380	1560	1744	1911	2064
CF24C	950	1380	1700	1900	2124	2327	2513
CF30A	540	780	990	1080	1207	1323	1429
CF30B	690	1040	1280	1380	1543	1690	1826
CF30C	1000	1470	1780	2000	2236	2449	2646
CF30D	1230	1790	2180	2460	2750	3013	3254
CF36A	540	770	960	1080	1207	1323	1429
CF36B	740	1060	1250	1480	1655	1813	1958
CF36C	1020	1470	1260	2040	2281	2498	2699
CF36D	1250	1820	2330	2500	2795	3062	3307
CF42B	750	1100	1370	1500	1677	1837	1984
CF42C	1010	1470	1810	2020	2258	2474	2672
CF42D	1240	1790	2210	2480	2773	3037	3281
CF48C	1010	1500	1980	2020	2258	2474	2672
CF48D	1300	1890	2340	2600	2907	3184	3439
CF60C	950	1600	2000	1900	2124	2327	2513
CF60D	1270	1800	2220	2540	2840	3111	3360
CF64D	1010	1590	1870	2020	2258	2474	2672

1. Dry coil conditions only, tested without filters.

For optimal performance, external static pressures of 0.2" to 0.5" are recommended. Applications above 0.6" are not recommended.

AIR FLOW DATA - STATIC PRESSURE DROP FOR CM MODELS¹

Coil Size	CFM @ Static Pressure Drop - IWG						
	(Based on dry coil)						
	0.1	0.2	0.3	0.4	0.5	0.6	0.7
CM18A	500	700	840	997	1115	1221	1319
CM18B	670	960	1180	1340	1498	1641	1773
CM24A	490	710	850	980	1096	1200	1296
CM24B	760	1050	1330	1520	1699	1862	2011
CM24C	910	1330	1640	1820	2035	2229	2408
CM25B	710	1020	1210	1420	1588	1739	1878
CM30A	520	750	950	1040	1163	1274	1376
CM30B	670	1000	1230	1340	1498	1641	1773
CM30C	970	1410	1710	1940	2169	2376	2566
CM30D	1180	1720	2100	2360	2639	2890	3122
CM36A	520	740	920	1040	1163	1274	1376
CM36B	710	1020	1210	1420	1588	1739	1878
CM36C	980	1420	1690	1960	2191	2400	2593
CM36D	1210	1750	2150	2420	2706	2964	3201
CM37B [#]	710	1020	1210	1420	1588	1739	1878
CM37C [#]	980	1420	1690	1960	2191	2400	2593
CM38B	TBD	TBD	TBD	TBD	TBD	TBD	TBD
CM38C [#]	690	1150	1420	1630	1820	1990	2150
CM42C	970	1420	1750	1940	2169	2376	2566
CM42D	1190	1730	2130	2380	2661	2915	3148
CM48C	970	1450	1910	1940	2169	2376	2566
CM48D	1250	1820	2250	2500	2795	3062	3307
CM49C [#]	690	1150	1420	1630	1820	1990	2150
CM49D [#]	970	1410	1740	2050	2290	2510	2710
CM50C [#]	990	1440	1700	1950	2180	2390	2580
CM50D [#]	940	1470	1890	2170	2430	2660	2870
CM60C	910	1551	1930	1820	2035	2229	2408
CM60D	1220	1730	2140	2440	2728	2988	3228
CM61C [#]	990	1440	1700	1950	2180	2390	2580
CM61D [#]	940	1470	1890	2220	2490	2720	2940
CM64D	970	1540	1800	1940	2169	2376	2566

1. Dry coil conditions only, tested without filters.

For optimal performance, external static pressures of 0.2" to 0.5" are recommended. Applications above 0.6" are not recommended.

Number sign (#) denotes coils only available with Factory Mount EEV.

NOTES